

# HSD

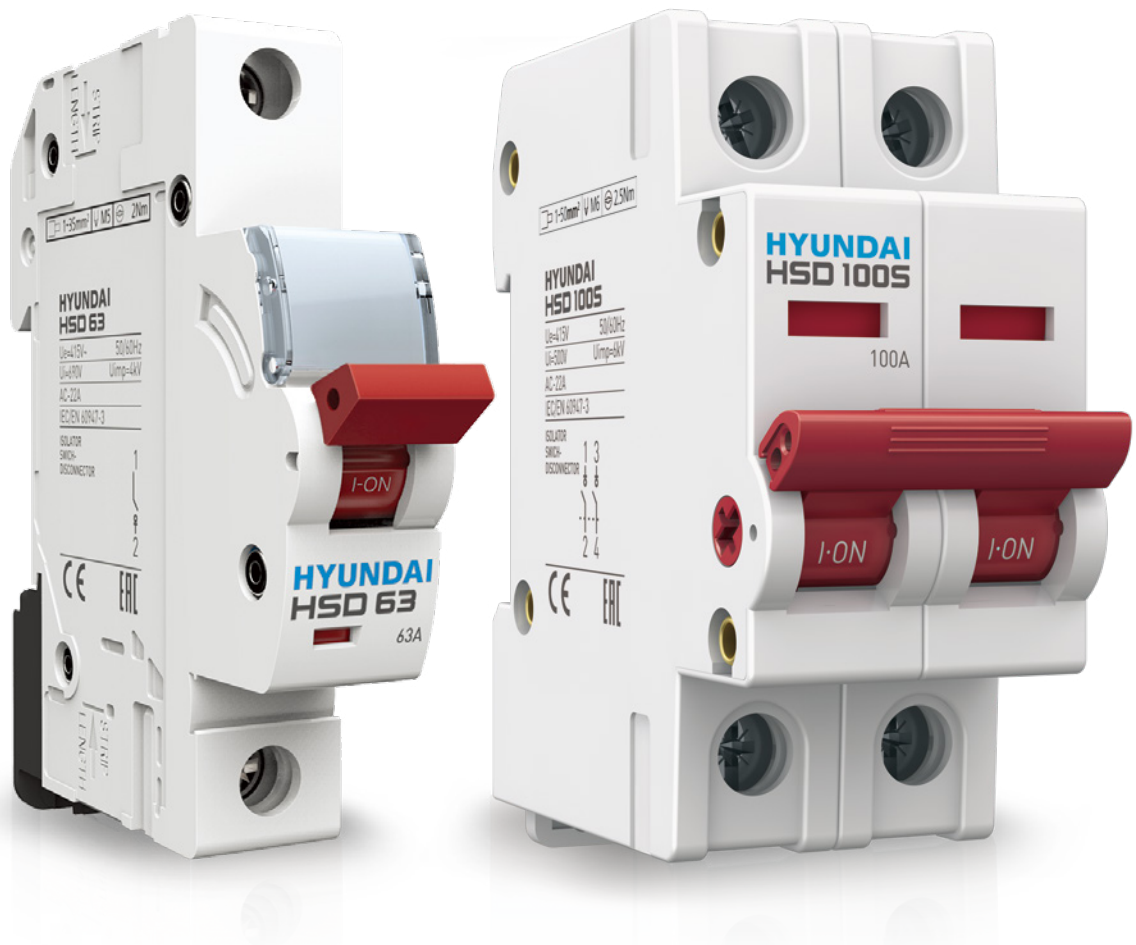
## Miniature Switch Disconnecter

Feature	42
Selection Table	44
Dimension	46
Order Information	48

# Feature

## HSD Miniature Switch Disconnecter

HD HYUNDAI ELECTRIC introduces the HSD series of MSDs rating from 6 A to 125 A. They are switch disconnectors with independent manual operation, capable of making, carrying and breaking currents under normal circuit conditions, which may includes operating under overload condition. They also carry currents under specified abnormal circuit conditions such as those of short circuit for a specified time.





## Product Feature

Hyundai HSD type switch disconnectors are mainly used for isolation and switching in the terminal combined electric appliances under the alternating current 50/60 Hz, rated voltage AC 240 V or AC 415 V and with rated current 6 to 125 A.

The double point direct moving structure enlarges the current capacity while making full use of the electrical power supplement. In addition, power reserving handle mechanism with high on/off speed promotes the working reliability. HSD type breakers comply with IEC/EN standard, and can be applied to industry, commerce, high-rise buildings, household and other similar installations.

### Deluxe Type

### Standard Type



#### Product Performance

- Longer electrical life
- Low power consumption, thus cost effective&energy saving
- To avoid improper cable termination, the safety terminals guide the cable towards the cage terminal for systematic termination

- Low watt loss
- Wide range



#### Product Structure

- Dual termination for simultaneous connection of bus-bars and wires
- Inscription window
- Safety terminal

- Positive contact Indication
- Bi-stable clip
- Compact construction
- Large cable terminals

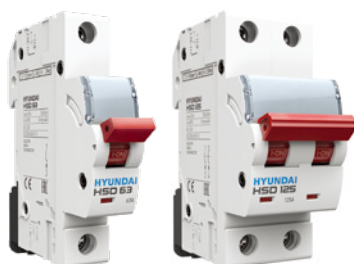


#### Specification

- IEC/EN 60947-3

- IEC/EN 60947-3

## Product Overview




Deluxe Type



Standard Type

# Selection Table

## HSD (Deluxe Type)

Model	HSD63, 63 AF	HSD125, 125 AF
		
Reference Standard	IEC/EN 60947-3	IEC/EN 60947-3
No. of Poles	1P, 2P, 3P, 4P	1P, 2P, 3P, 4P
Utilization Category	AC-22 A	AC-22 A
Rated Current (In)	16, 25, 32, 40, 63 A	80, 100, 125 A
Rated Voltage (Ue)	AC 240/415 V	AC 240/415 V
Rated Frequency (F)	50/60 Hz	50/60 Hz
Rated Insulation Voltage (Ui)	500 V	500 V
Rated Impulse Voltage (Uimp)	4 kV	4 kV
Dielectric Strength	2.5 kV	2.5 kV
Electrical/Mechanical Endurance (no. of operations) Minimum	10,000/20,000	10,000/20,000
Operating Temperature	-40 °C to + 55 °C	-40 °C to + 55 °C
Humidity	95 % RH	95 % RH
Terminal Capacity (max)	35 mm <sup>2</sup>	50 mm <sup>2</sup>
Tightening Torque	2 N·m	2.5 N·m
Vibration	3 g	3 g
Shock Resistance	40 mm free fall	40 mm free fall
Protection Class	IP20	IP20
Positive Contact Indication	Red-ON, Green-OFF	Red-ON, Green-OFF
Net Weight/Pole in kg	0.079 kg	0.090 kg
Dimensions (H x D x W)/Pole in mm	87.5 x 71.7 x 17.7 mm	87.5 x 73.4 x 17.7 mm
Mounting	Clip on DIN Rail (35 mm x 7.5 mm)	Clip on DIN Rail (35 mm x 7.5 mm)
Installation Position	Vertical/Horizontal	Vertical/Horizontal
Case & Cover	Molded, flame retardant thermoplastic material	Molded, flame retardant thermoplastic material
Busbar Connections	Pin/Fork type (Bottom)	Pin/Fork type (Bottom)

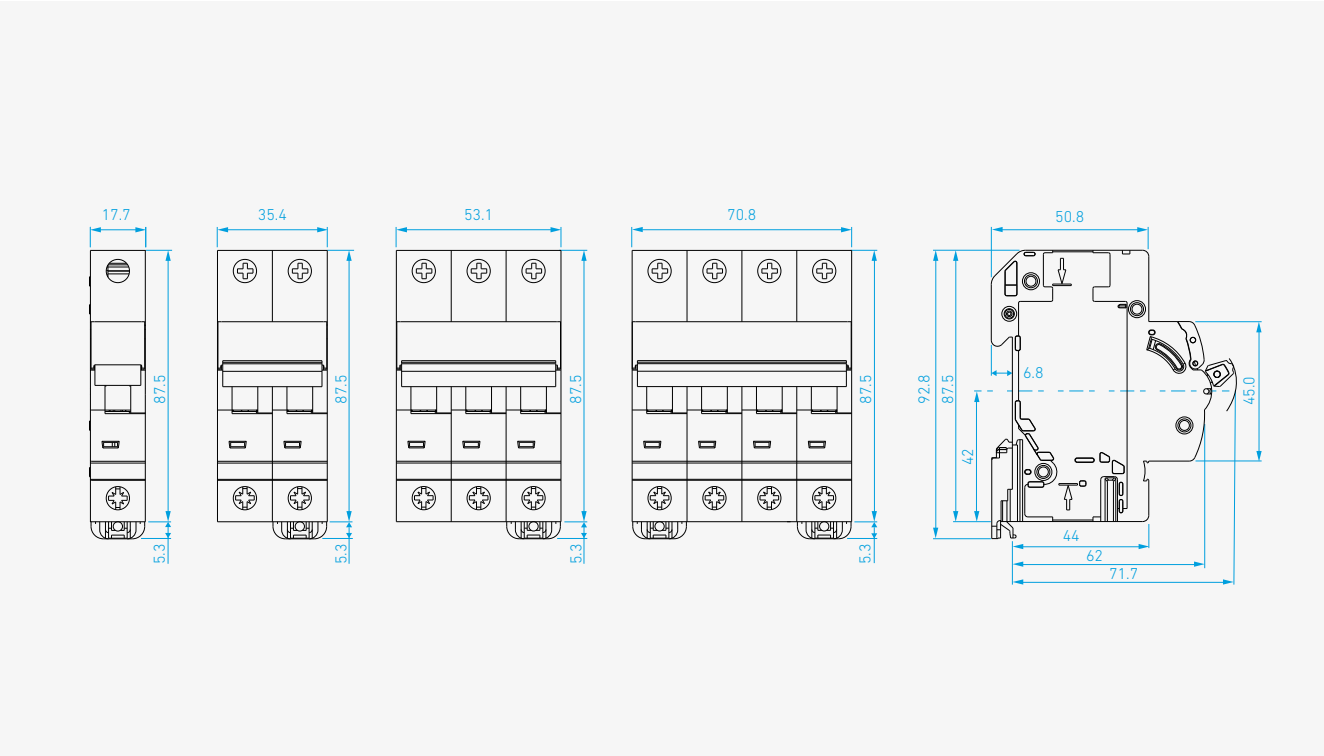
## HSD (Standard Type)

Model	HSD100S, 125 AF
	
Reference Standard	IEC/EN 60947-3
No. of Poles	1P, 2P, 3P, 4P
Utilization Category	AC-22 A
Rated Current (In)	6, 10, 16, 20, 25, 32, 40, 50, 63, 70, 80, 100, 125 A
Rated Voltage (Ue)	AC 240/415 V
Rated Frequency (F)	50/60 Hz
Rated Insulation Voltage (Ui)	690 V
Rated Impulse Voltage (Uimp)	6 kV
Dielectric Strength	2.5 kV
Electrical/Mechanical Endurance (no. of operations) Minimum	10,000/20,000
Operating Temperature	-40 °C to + 55 °C
Humidity	95 % RH
Terminal Capacity (max)	35 mm <sup>2</sup>
Tightening Torque	2.5 N·m
Vibration	3 g
Shock Resistance	40 mm free fall
Protection Class	IP20
Positive Contact Indication	Red-ON, Green-OFF
Net Weight/Pole in kg	0.080 kg
Dimensions (H x D x W)/Pole in mm	81.0 x 76.8 x 17.6 mm
Mounting	Clip on DIN Rail (35 mm x 7.5 mm)
Installation Position	Vertical/Horizontal
Case & Cover	Molded, flame retardant thermoplastic material
Busbar Connections	Pin/Fork type

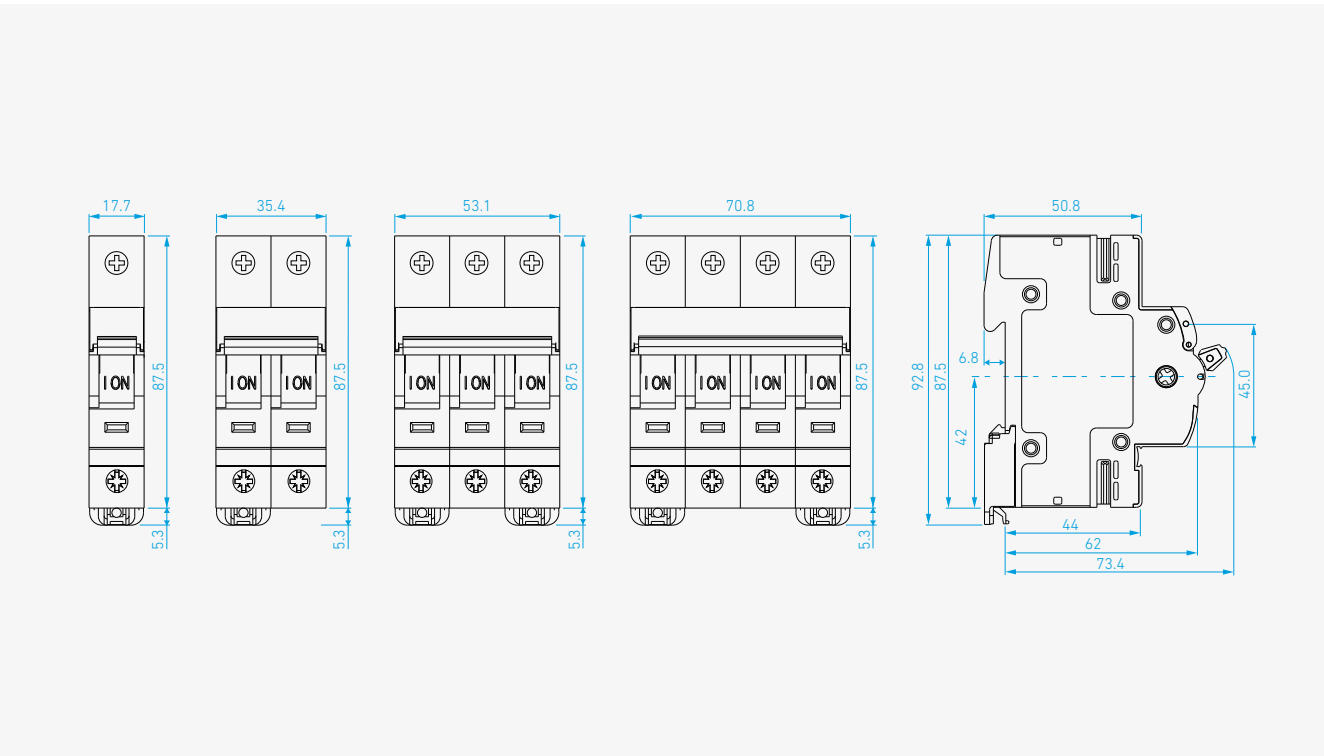
# Dimension

## HSD (Deluxe Type)

### HSD63, 63 AF

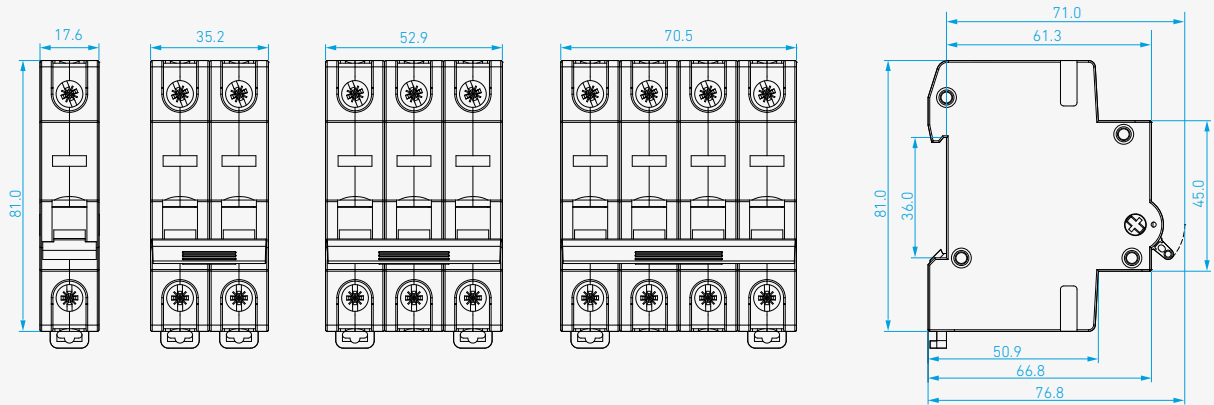


### HSD125, 125 AF



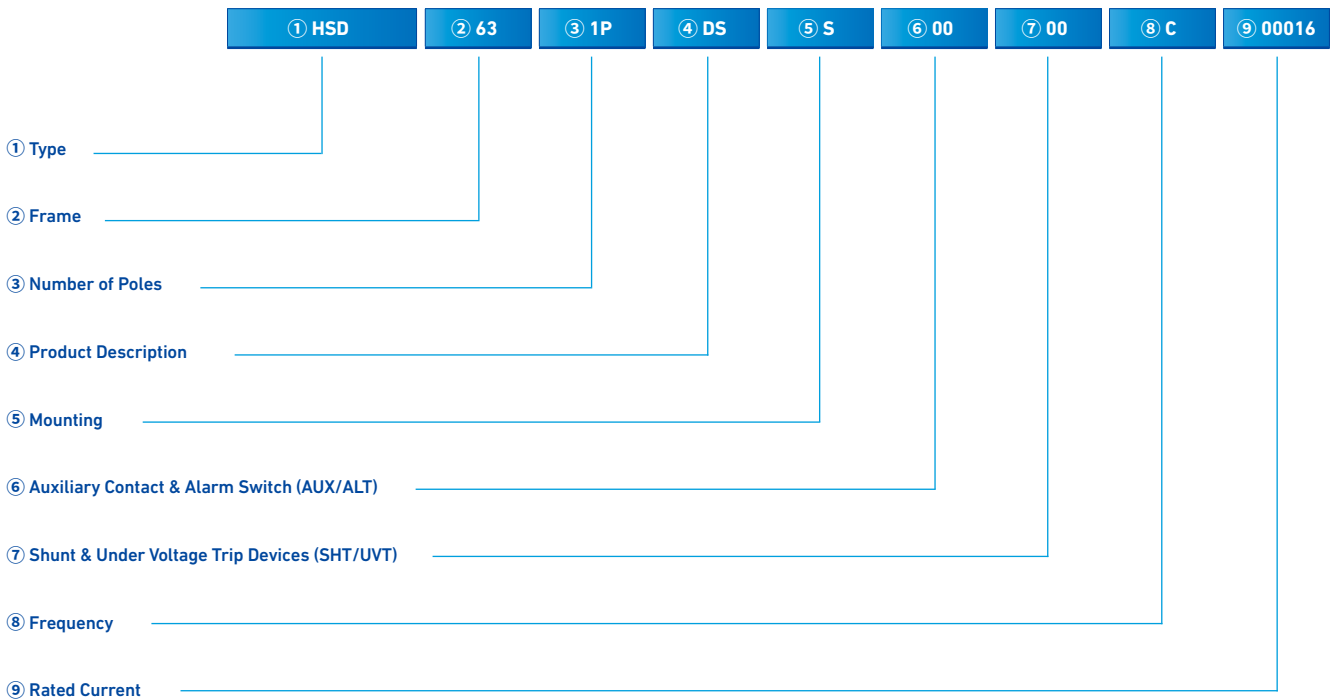
## HSD (Standard Type)

HSD100S, 125 AF



# HSD Ordering Information

## Ordering Guidelines (Deluxe Type)



① Type	
HSD	Miniature switch disconnecter

② Frame	
63	63 AF (Deluxe type)
125	125 AF (Deluxe type)

③ Number of Poles	
1P	1 Pole
2P	2 Pole
3P	3 Pole
4P	4 Pole

④ Product Description	
DS	Disconnection switch

⑤ Mounting	
S	Front connection

⑥ Auxiliary Contact & Alarm Switch	
00	Non-attachment

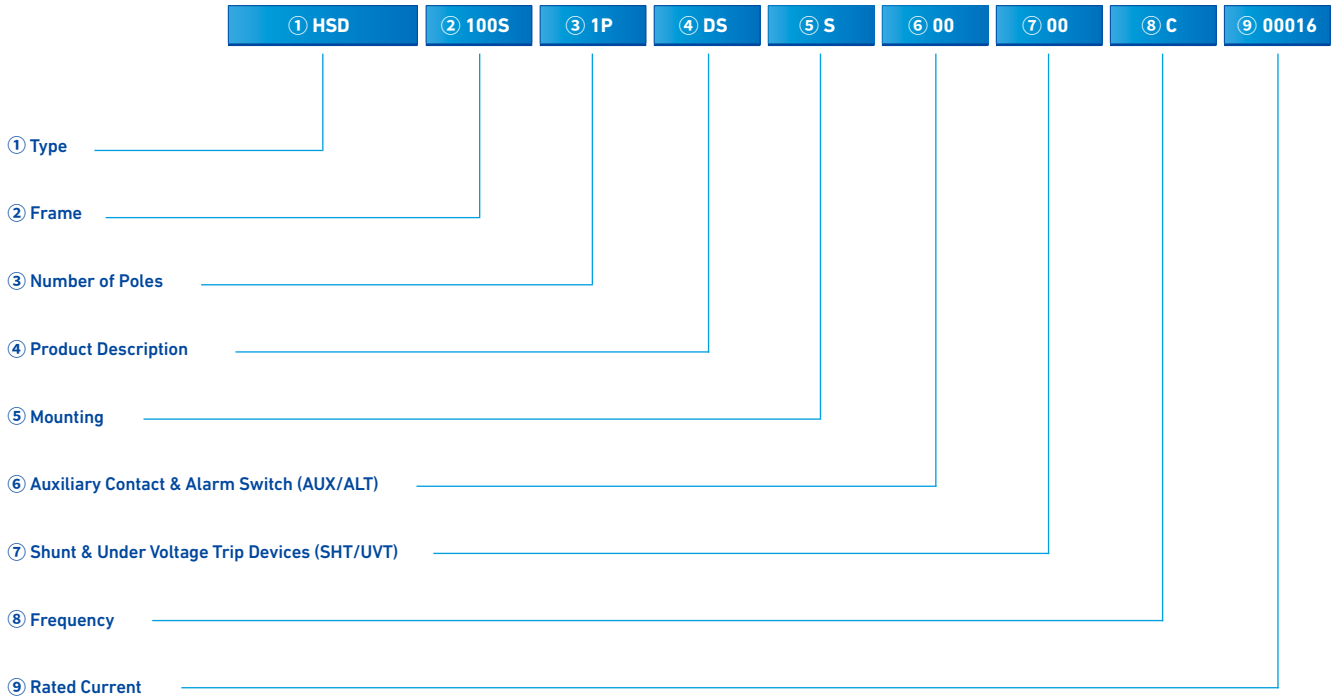
⑦ Shunt & Under Voltage Trip Devices	
00	Non-attachment

⑧ Frequency	
C	50/60 Hz

⑨ Rated Current	
00016	16 A
00025	25 A
00032	32 A
00040	40 A
00063	63 A
00080	80 A
00100	100 A
00125	125 A



## Ordering Guidelines (Standard Type)



① Type	
HSD	Miniature switch disconnecter

② Frame	
100S	125 AF (Standard type)

③ Number of Poles	
1P	1 Pole
2P	2 Pole
3P	3 Pole
4P	4 Pole

④ Product Description	
DS	Disconnection switch

⑤ Mounting	
S	Front connection

⑥ Auxiliary Contact & Alarm Switch	
00	Non-attachment

⑦ Shunt & Under Voltage Trip Devices	
00	Non-attachment

⑧ Frequency	
C	50/60 Hz

⑨ Rated Current	
00016	16 A
00025	25 A
00032	32 A
00040	40 A
00063	63 A
00080	80 A
00100	100 A
00125	125 A